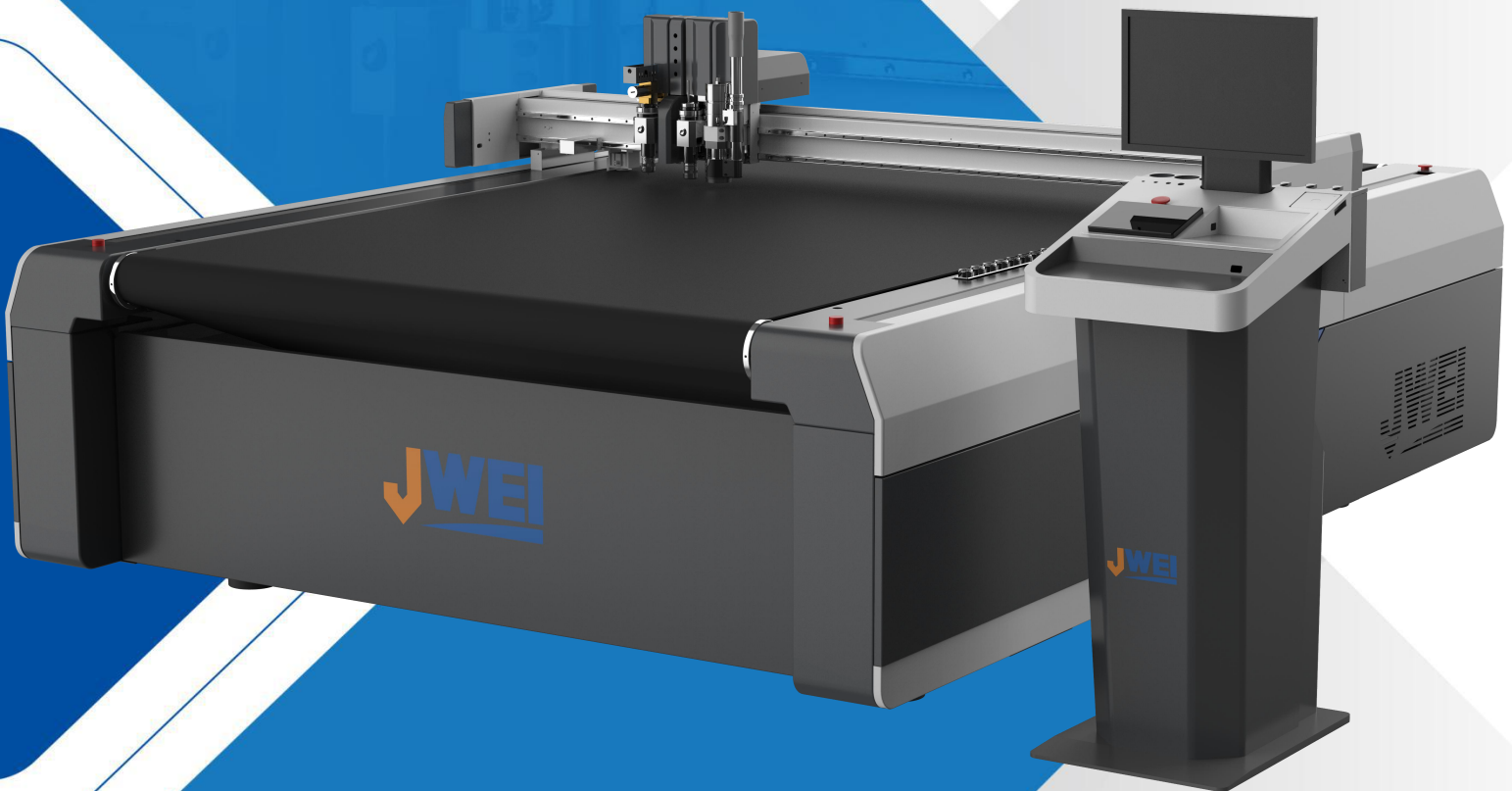




S-CUTTER

TB09-2516-RM

Top level digital cutting system



01/ EtherCAT

EtherCAT motion controller
Max. 2G acceleration & Max. 1800mm/s speed.

02/ 0-gap gear & rack transmission system

Min. 1mm diameter cutting ability.

03/ Ultra high strength frame

Carbon steel body welded, stronger frame for top cutting performance.

04/ Top imported servo system

Up to 9 imported high-end level servo motors.

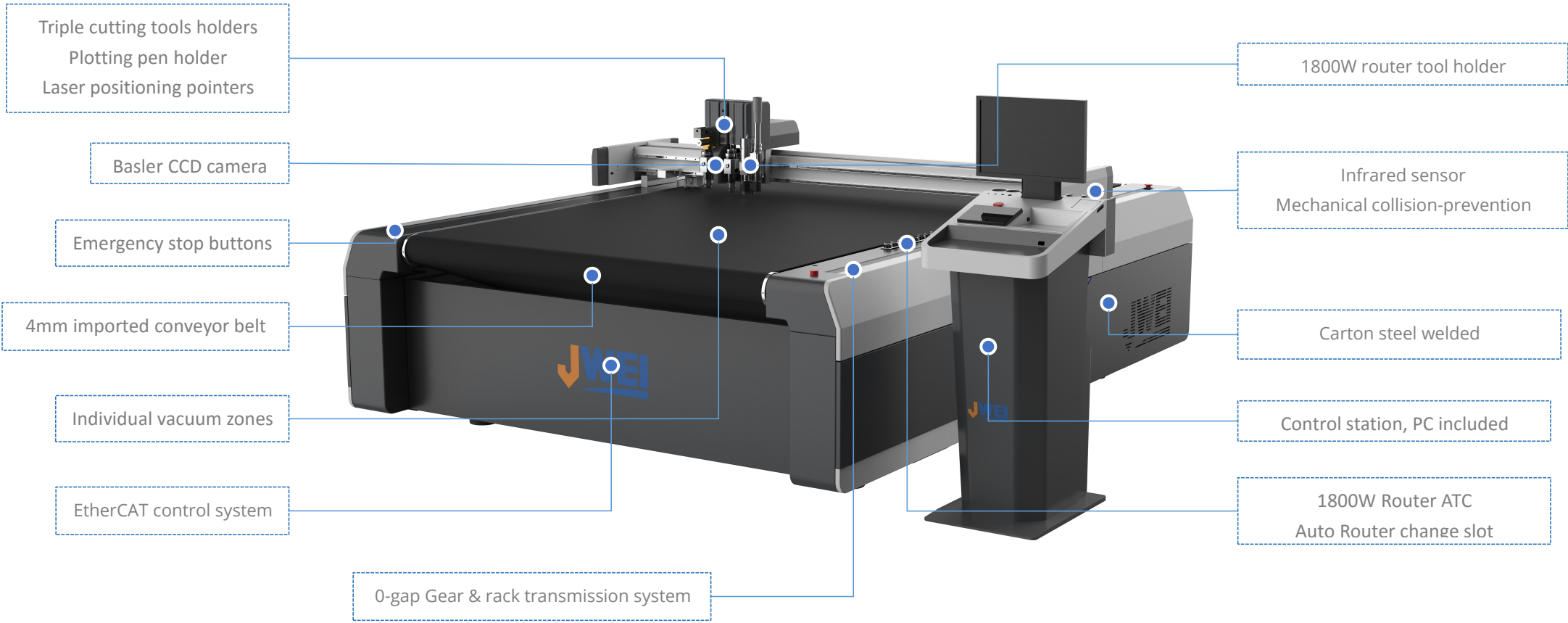
05/ Precision reducer

3 arc minutes high precision reducer, ensure top performance of milling ability.



Find us on Wechat

Series: S-Cutter
Model: TB09-2516-RM



Compatible with:



Officially support by:



Included:



Applications



Signage



POP/POS



Corrugated packaging



Home decoration



Textile



Automotive



Floor mat



Road sign

Parameters

S-CUTTER	TB09-2516-RM
Effective Cutting Area.	2500x1600mm
Cutting Module	Triple universal tools cutting head Camera registration tool Laser positioning pointers Plotting pen holder
Tools Compatibility	All Jwei cutting tools
Max. Moving Speed	1800mm/s
Max. Cutting Speed	1500mm/s
Acceleration	2G
Max. Cutting Thickness	50mm
Repeat Precision	±0.05mm
Safety Device	Infrared sensor, mechanical collision-prevention device
Material Fixing Method	Energy-efficient 6 individual vacuum zones
Transmission System	0-gap precision gear & rack
Servo System	9 axis servo drive system
Control System	EtherCAT
Physical Frame	Carbon steel welded, Non-detachable assembly
Interface	Ethernet port
Software	JWMS, QR Code system included
File Format	DXF、PLT、PDF、HPGL、XML、CF2、AAMA、NC、EPS
Rated Power	16 KW
Power Supply	AC 3PH 380V ± 10%, 50/60Hz
Noise Range	<75 dB ~ 90 dB
Operating Environment	10-35 °C, 10-80% humidity
Machine Dimension	3370*2380*1310mm

JWEI reserves the rights of final explanation, no further information for any exchanging.